

SUP018M

RI9716/01-02-03-04-05-10-RI9721/01
RI9721/02-03-04-05-06-07-08-13



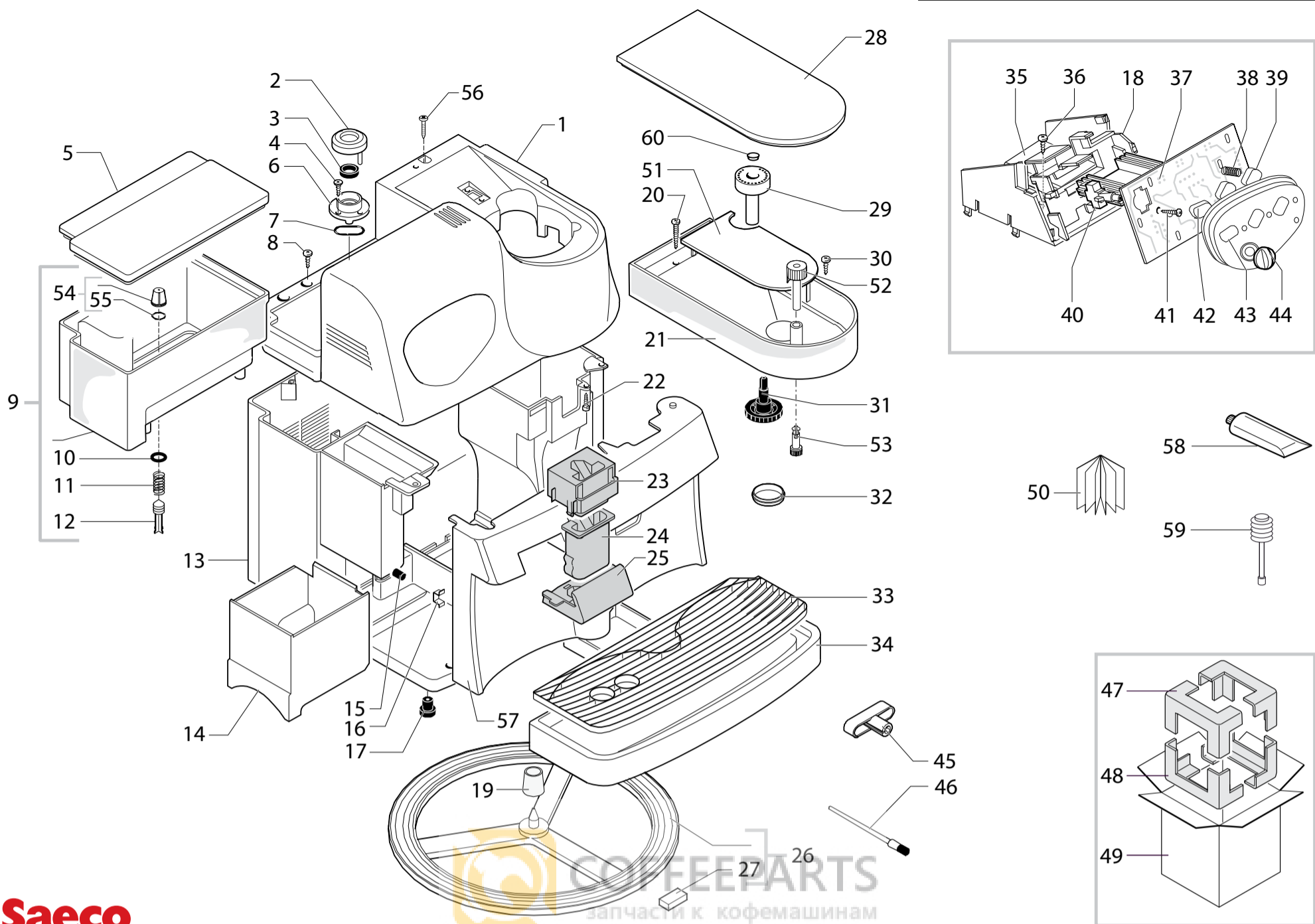
10003746-3882-4383-99-3707-4470-3700
10003689-3704-48-71-3688-4479-78-3703

POS	CODE	DESCRIPTION	NOTE	POS	CODE	DESCRIPTION	NOTE
01	11012405	MEZZANOTTE COVER M5000-SPID. FOR 10003688-3700-48-3882-4399		14	0311.004.580	SILVER DUMP BOX M5000 FOR 10003703-4470	
	222820141	SILVER COVER M5000-SPID. FOR 10003703			0311.004.670	3557/GREY DUMP BOX M5000 FOR 10003707-46-4383	
	11021722	MEZZANOTTE COVER M5000-SPID. FOR 10003689-3704-3771			11012396	MEZZANOTTE DUMP BOX M5000 PER 10003688-89-3700-04-48-71-3882-4399	
	11006420	UNPAINTED COVER M5000-SPID. FOR 10003707-46-4383			421941303771	SILV/GL.DUMP BOX M5000 FOR 10004478-79	
	11006447	SILVER COVER M5000-SPID. FOR 10004470		15	9991.105	MAGNET D=9 MM	
	421941303731	SILV/GL.COVER M5000-SPID. FOR 10004478		16	0311.020	BRACKET FOR DOOR CLOSURE	
	421941303861	SILV/GL.COVER M5000-SPID. FOR 10004479		17	147622850	BLACK EPDM FOOT	
02	0701.031.150	GREY GACO DIM 14 SEAL COVER		18	147756600	ELECTRONIC BOARD PROTECTION M5000	
03	145842900	WATER CONTAIN.VALVE GACO DIM 14 SEAL		19	145894700	ROTATING RING RETAINING INSERT	
04	129535721	SCREW TSP TORX 10 AB 3,5X9,5 SHEET SS		20	129517103	SCREW TCB3,5X38,1 DIN 7981 GALV	
05	0311.008.380	METAL/BLACK WATER CONTAINER LID M5000 FOR 10003707-46-4383		21	222710980	BEAN COFFEE CONTAINER M5000 ASSY. 142713780 GREY BEAN CONTAINER M5000 142713680 GREY BEAN CONTAINER M5000	
	0311.008.580	SILVER WATER CONTAINER LID M5000 FOR 10003703-4470		22	129670202	TCB PANELVIT SCREW 3,5X16 TESTA D=8 ZNP	
	11012394	MEZZANOTTE WATER CONTAINER LID M5000 FOR 10003688-89-3700-04-48-71-3882-4399		23	0311.022.380	MET/BLACK FIXED DISPENSING CHANNEL M5000	
	421941303791	SILV/GL.WATER CONTAINER LID M5000 FOR 10004478-79		24	0311.011.380	MET/BLK MOBILE DISPENSING CHANNEL M5000	
06	0701.014.150	GREY GACO DIM 14 SEAL CONTAINER		25	0311.012.380	MET/BLACK COFFEE DISPENSER SUPPORT M5000 FOR 10003707-46-4383 11012392 MEZZANOTTE COFF.DISPENSER SUPPORT M5000 FOR 10003688-89-3700-04-48-71-3882-4399 11022221 SILVER COFFEE DISPENSER SUPPORT M5000 FOR 10003703-4470	
07	0312.022	SEAL FOR VALVE CONTAINER		421941303761	SILV/GL.COF.DISPENSER SUPPORT M5000 FOR 10004478-79		
08	U143.007	SCREW TORX TCB 2,9X19 SS BUR		26	220380159	ROTATING RING ASS.GREY/BLACK FEET	
09	222693880	TRANSP/GREY WATER CONT.M5000 ASSY.		27	147622150	BLACK FOOT FOR REVOLVING RING	
10	140324362	OR METRIC 0060-30 IN SILICONE		28	0311.009.380	METAL/BLACK BEAN COFF.CONTAIN.LID M5000 FOR 1003707-46-4383	
11	126764718	SS WATER CONTAINER VALVE SPRING			0311.009.580	SILVER BEAN COFFEE CONTAINER LID M5000 FOR 10003703-4470	
12	147660562	GREY WATER VALVE CONTAINER PISTON			11012395	MEZZANOTTE BEAN COFF.CONTAINER LID M5000 FOR 10003688-89-3700-04-48-71-3882-4399	
13	0311.A03.670	3557/GREY CASING M5000 ASSY. FOR 10003707-46-4383	WITH PAN°15-17-19		421941303801	SILV/GL.BEAN COF.CONTAINER LID M5000 FOR 10004478-79	
	0311.A03.580	SILVER CASING M5000 ASSY. FOR 10003703-4470	WITH PAN°15-17-19	29	9141.051.490	GREY COFFEE GRINDER ADJUSTM.KNOB M5000	
	11012393	MEZZANOTTE CASING M5000 ASSY. FOR 10003688-89-3700-04-48-71-3882-4399	WITH PAN°15-17-19				
	421941303681	SILV/GL.CASING M5000 ASSY. FOR 10004478-79	WITH PAN°15-17-19				



PR VIENNA PL & SPIDEM TREVİ

TABLE 1a/4



SUP018M

RI9716/01-02-03-04-05-10-RI9721/01
RI9721/02-03-04-05-06-07-08-13

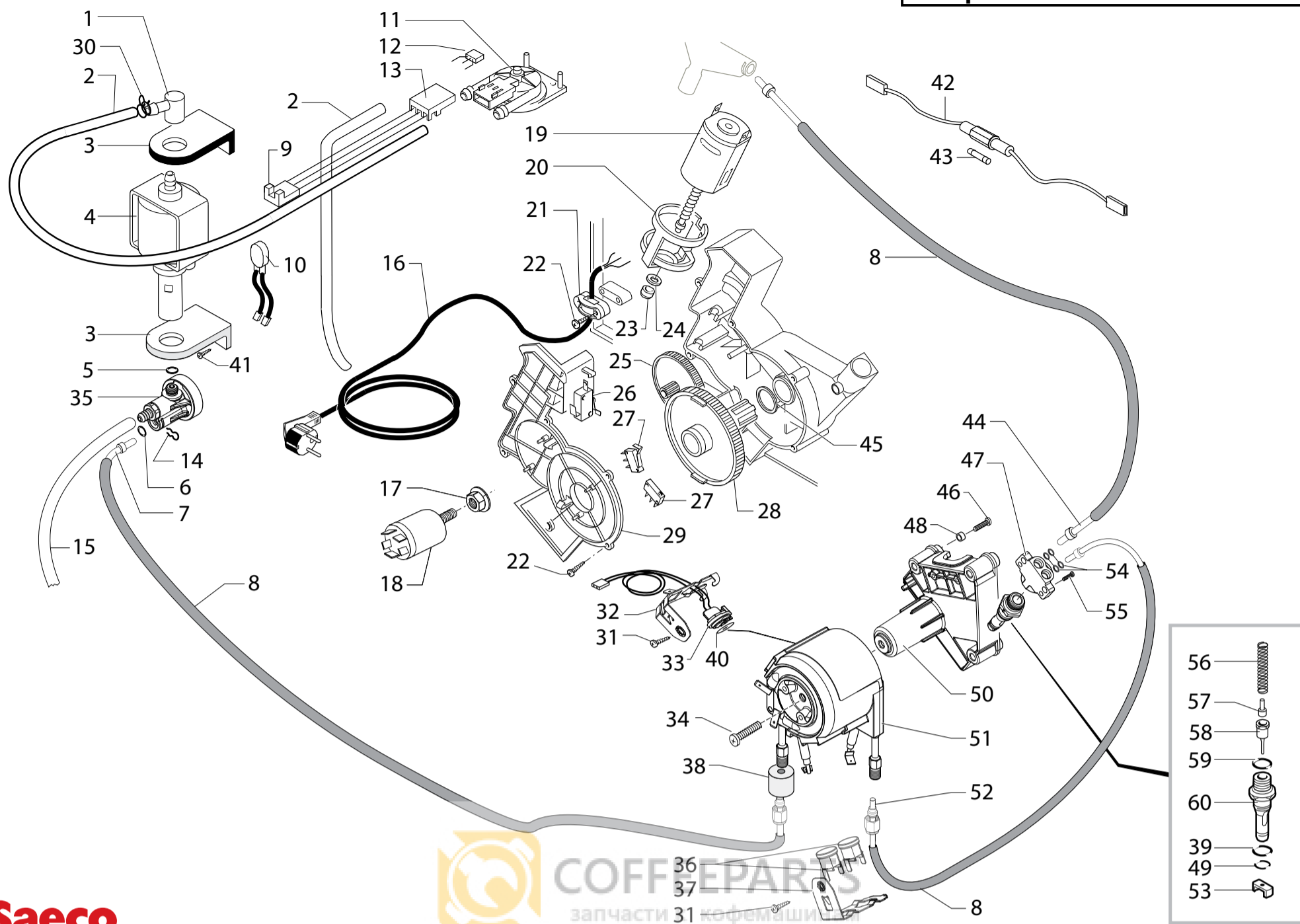


10003746-3882-4383-99-3707-4470-3700
10003689-3704-48-71-3688-4479-78-3703

POS	CODE	DESCRIPTION	NOTE	POS	CODE	DESCRIPTION	NOTE
30	U109.029	SCREW AUT.TCB 3,5X32 DIN 7981 C		47	175895400	PS-E UPPER BOX INSERT M5000-SPID.	
31	146000850	BLK COFFEE GRIND.ADJUSTM.KNOB GEAR COMBI		48	175894000	PS-E LOWER BOX INSERT M5000	
32	9161.270	SEAL FOR COFFEE CONTAINER		49	13001313	FLEXOGRAP.BOX M5000 PR SAE VIENNA PL.	
33	0311.010.380	MET/BLACK GRATE M5000		13001314	FLEXOGRAP.BOX M5000 PR SPI TREVI		
34	0311.005.670	7035/GREY DRIP TRAY M5000		50	15002709	INSTR.MANUAL V2 SUP018M SAE VIE.PL.GB/P	
		FOR 10003707-46-4383		15002718	NEUTRAL MANUAL SUP018M PR 7L.		
	0311.005.580	SILVER DRIP TRAY M5000		15002928	IN.MANUAL V2 SUP018M PR VIE.PL.GB/F/E/P		
		FOR 10003703-4470		15004031	MANUAL PR NEUTRAL SUP018M GB/CHN		
	11012409	MEZZANOTTE DRIP TRAY M5000		51	147755280	BEAN COFFEE CONT.PROT.+DOS.ADJUSTM.M5000	120V
		FOR 10003688-89-3700-04-48-71-3882-4399		52	147715659	GRY COFFEE DOSE ADJUSTM.KNOB S/SCR.M5000	
	421941303781	SILV/GL.DRIP TRAY M5000		53	146001850	BLACK COFFEE DOSE ADJUSTMENT GEAR M5000	
		FOR 10004478-79		54	224640200	WHITE WATER CONTAINER EXT.FILTER ASSY.	
35	11006299	BLACK SUPPORT FOR ELECTRONIC CARD M5000		55	140328461	EPDM OR METRIC 0190-10	
36	129660902	PANELVIT TCB SCREW 3,5X12 D.7505 Z		56	U140.009	PANELVIT TCB 3,0X16 DIN 7505 B GAL	
37	181554658	CPU BOARD W/PREINF.M5000 V3 230V		57	228994900	7035/GREY DOOR S/SCR.TREVI CHIARA M5000	
	181554655	CPU BOARD W/PREINF.M5000 V3 120V				FOR 10003707-46-4383	
38	9161.220	SPRING FOR FUNCTION BUTTON		11012399	MEZZANOTTE DOOR S/SCR.TREVI CHIARA M5000		
39	0324.002.380	MET/BLACK FUNCTION BUTTON M5000-COMT.			FOR 10003882-4399		
40	NE03.029	ROLD SWITCH CM H1058	230V	11021725	MEZZANOTTE DOOR S/SCR.VIENNA PL.M5000		
	186076255	UNIP.SWITCH ROLD CM A1058	120V		FOR 10003688-89-3700-04-48-71		
41	U140.004	PANELVIT TCB 3,0X12 DIN 7505 B GAL		11022213	SILVER DOOR S/SCR.VIENNA PL. M5000		
42	0324.003.380	MET/BLACK ON/OFF BUTTON M5000-COMT.			FOR 10003703		
43	11012398	MEZZANOT.FRONT PANEL S/SCR.M5000-SPID.		421941302701	SILVER DOOR S/SCR.CAFFE' POLI M5000		
		FOR 10003688-3700-48-3882-4399			FOR 10004470		
	11006626	7035/GREY FRONT PANEL S/SCR.M5000-SPID.		421941303741	SILV/GL.DOOR S/SCR.VIENNA PL.M5000		
		FOR 1003707-46-4383			FOR 10004478-79		
	11021379	MEZZANOTTE FRONT PANEL S/SCR.M5000-SPID.		58	11005044	SAECO KLUBER TRIBOSTAR SIL 2 TUBE 5GR.	
		FOR 10003689-3704-71		59	147700200	LOADING PUMP DIAMETER 17 MM	USA UL
	224882348	SILVER FRONT PANEL S/SC.BLACK M5000-SPID		60	149212080	GREY BEAN CONT W/O DOSE ADJUST.LID M5000	
		FOR 10003703					
	11006620	SILVER FRONT PANEL S/SCR.GREY M5000-SPID					
		FOR 10004470					
	421941303711	SILV/GL.FRONT PANEL S/SCR.M5000-SPID.					
		FOR 10004478					
	421941303841	SILV/GL.FRONT PANEL S/SCR.M5000-SPID.					
		FOR 10004479					
44	0311.016.380	METAL/BLACK COFFEE ADJUSTMENT KNOB M5000					
45	142660259	GREY PHASE KEY COFFEE BREW UNIT MAGIC					
46	127390100	BRUSH FOR CLEANING					



PR VIENNA PL & SPIDEM TREVI



SUP018M

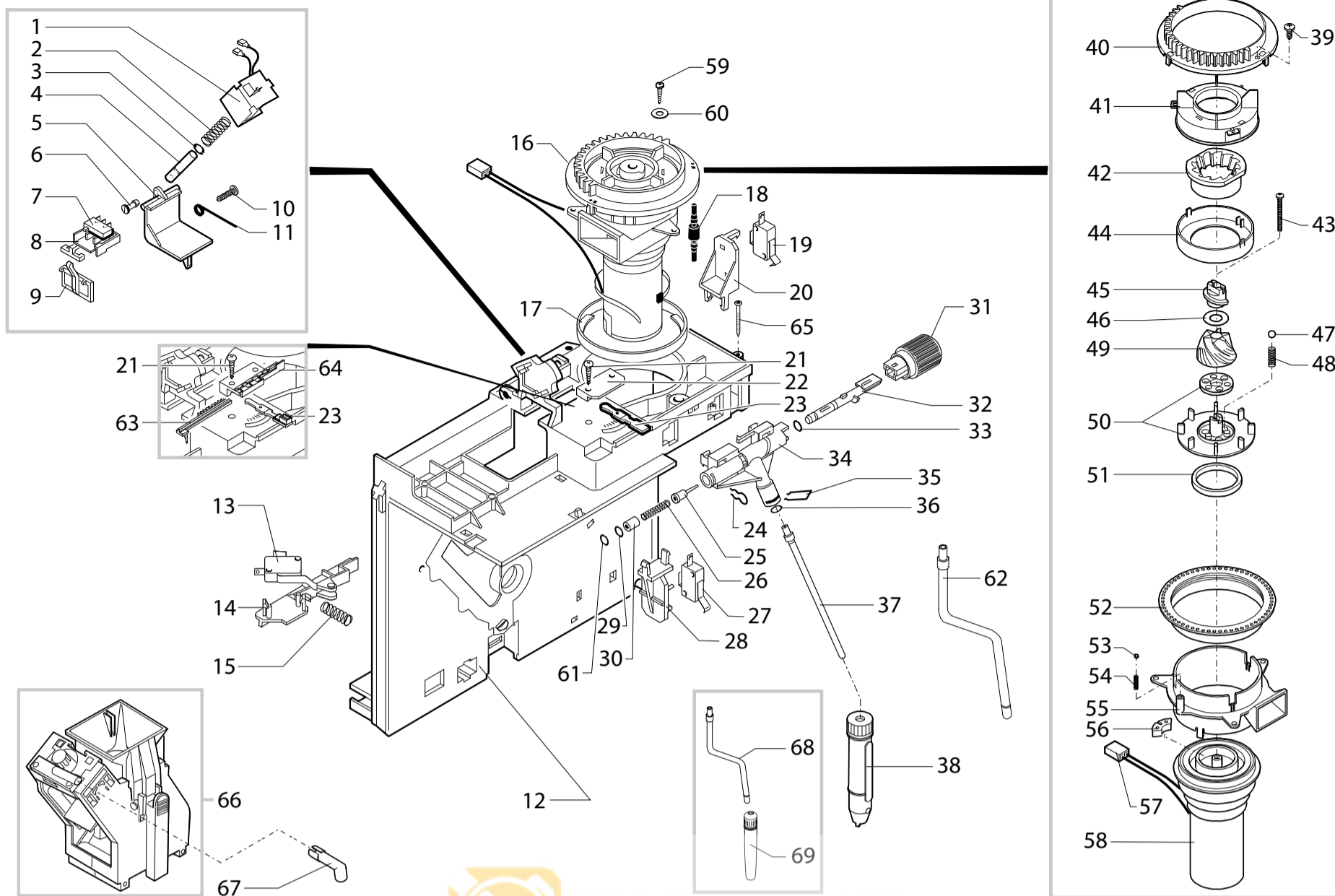
RI9716/01-02-03-04-05-10-RI9721/01
RI9721/02-03-04-05-06-07-08-13



10003746-3882-4383-99-3707-4470-3700
10003689-3704-48-71-3688-4479-78-3703

POS	CODE	DESCRIPTION	NOTE	POS	CODE	DESCRIPTION	NOTE
01	147920150	90° INLET PUMP CONNECTOR		29	9161.200.920	TRANSPARENT RATIOMOTOR LID M5000	
02	149360200	SILICONE TUBE 5X8 70SR 25 MT	IN ROLL	30	184320200	SPRING HOSE CLAMP D=9,5MM	
03	149185850	EATON PUMP SUPPORT 4002012 MAGIC		31	12001715	SCREW TCB TORX 20 M4X8 AUTOFORMING ZN-B	
04	12000140	ULKA PUMP EP5/S GW	230V-50HZ	32	126838217	SENSOR FIXING SPRING	
	12000131	ULKA PUMP EP5/S	120V-60HZ	33	288582300	SENSOR ELECT.BOARD WITH CONNECTOR ASSY.	
	12000182	ULKA PUMP EP5/S GW	220V-60HZ	34	129932502	SCREW TSP 5X30 PLAST.ZN-B	
05	140321961	OR 2031 IN TERMOIL		35	229452100	COMPENSATION AND SAFETY VALVE 16BAR ASSY	
06	NM02.028	OR 2015 EPDM FDA		36	189428600	THERMOSTAT 175° 1NT-08L-5125	
07	227874900	CONNECTOR AS.TEFLON 2X4 L=250 MM		37	126838117	2 THERMOSTATS FIXING SPRING	
08	149361200	BLACK SILICONE TUBE 7,5X9,3	IN ROLL	38	147756562	PROTECTION FOR FOLK SPRING TUBE D=4	
09	283542200	3 POLES CONNECTOR TURB.M5000 UL ASSY.		39	NM01.035	OR ORM 0090-20 SILICONE	
10	0311.807	YELLOW HARNESS KLIXON JP 13	230V	40	145951600	ELECTRIC INSULATING DISK D=16	
	289201000	THERMAL. PROTECT 120°C CABLE.125/3	120V	41	129517302	SCREW TCB3,9X9,5 DIN 7981 GALV	
11	286473300	-M-VDE TURBINE WITH SENSOR KIT	WITH PART. N°12	42	183003662	CABLE 1 WIRE SILICONE BLUE 510 MM	230V
12		PARTICULAR NOT AVAILABLE	SEE PART. N°11		183361062	CABLE 1 WIRE SIL.BLUE AWG18 + FUSE	120V
13	9161.018	BRACKET FOR TURBINE		43	327002200	FUSE T6,3 AMP.5X20 RETARDED	230V
14	9011.144	SS FORK FOR TUBE D.4			184950200	FUSE T15 AMP.DELAYED	120V
15	JS01.022	SILICONE TUBE 5X10 60SH	IN ROLL	44	11002649	CONNECTOR AS.TEFLON 2X4 L=480 MM	
16	183910450	BLACK POWER CABLE SCHUKO L=1500		45	9161.132	MYLAR WASHER FOR RATIOMOTOR	
	183930250	POW.CABLE CH BLACK H05+3FAST.L=1500		46	12001369	SCREW TSP TORX 10 5X35 PLAST.SS	
	183950150	P.CABLE ITALY BLACK .H05 + FAST.L=		47	147922700	BOILER SUPPORT CONNECTOR	
	183922060	POWER CABLE SJT3C USA GREY 5F.L1590		48	9161.206	INSULATING SPACER FOR BOILER	
	183940250	BLACK POWER CABLE AUSTR.H05+FAST.L=1500		49	NM01.057	OR ORM 0050-20 IN SILICONE	
	NE01.026	GREY POWER CABLE USA SJT3C 3F.L=1500		50	11011420	V2 SUPPORT FOR ALUM.BOILER TYPE M5000	
	183980550	BLACK POWER CABLE JAPPON VCTF L=1590MM		51	282058858	V2 TUB.BOILER W/ADDIT.RESIST.	230V-1100W
	183990950	BLACK POWER CABLE RVV 3X1 CHINA L=1590			282058855	V2 TUB.BOILER W/ADDIT.RESIST.	120V-1100W
	11002892	GREY POWER CABLE TAIWAN HVCTF L=1440		52	227876800	CONNECTOR TEFLON 2X4 L=235 MM ASSY.	
	11000706	POWER CABLE SJT3C USA BLACK 5F.L=1590		53	11005099	NATURAL CURSOR V2 FOR BOILER P119	
	11001845	BLACK POW.CABLE KOREA H05VV-F 3X1 L=1600		54	140328059	OR 2015 IN SILICONE PTFE/FDA	
	11003361	GREY POWER CABLE BRAZIL 5F.L=1590		55	129910103	HI -LO TC SCREW 3,5X15 RIF.910189	
17	123453602	FLANGE NUT M8 TOOTHED BASE GALV.		56	9011.132	SS SPRING FOR PIN	
18	184651100	ANTIDISTURB FILTER 0,47X2+1000Y2+0,5L	230V	57	11009013	TEA/BRASS PIN FOR PISTON L=10	
	184651500	LOCKING SCREW ANTIDISTURB FILTER 16A	120V	58	11009019	TEA/BRASS PISTON L=20,9 ASSY.	
19	11003037	MOTOR FOR RATIOMOTOR ASSY.		59	140320459	OR ORM 0080-20 IN SILICONE PTFE/FDA	
20	9121.044	ANTIVIBRATION FOR MOTOR		60	9011.100	PEG FOR VALVE IN PLASTIC	
21	148600600	BLACK CABLE CLAMP MAGIC ESPR/COMBI			11010718	TUBOL.BOILER V3 M5000 230V ASSY.	COMPLETE
22	129670202	TCB PANELVIT SCREW 3,5X16 TESTA D=8 ZNP			11000424	TUBOL.BOILER V3 M5000 120V ASSY.	COMPLETE
23	9121.046	BRONZE SINTERED BUSH FOR MOTOR			289434800	UNIFIED GEN.TURBINE W/O FILTER M5000 ASSY	
24	148380200	BAKELIZZATE WASHER D=5,5				WITH PART.N°01-02-09-11-12-13-15-30	
25	9121.042	GEAR Z.12/90					
26	NE05.042	MICROSWITCH					
27	NE05.038	MICROSWITCH					
28	9121.068.150	GREY GEAR Z=108 FOR MOUNTING PLATE M5000					





SUP018M

RI9716/01-02-03-04-05-10-RI9721/01
RI9721/02-03-04-05-06-07-08-13

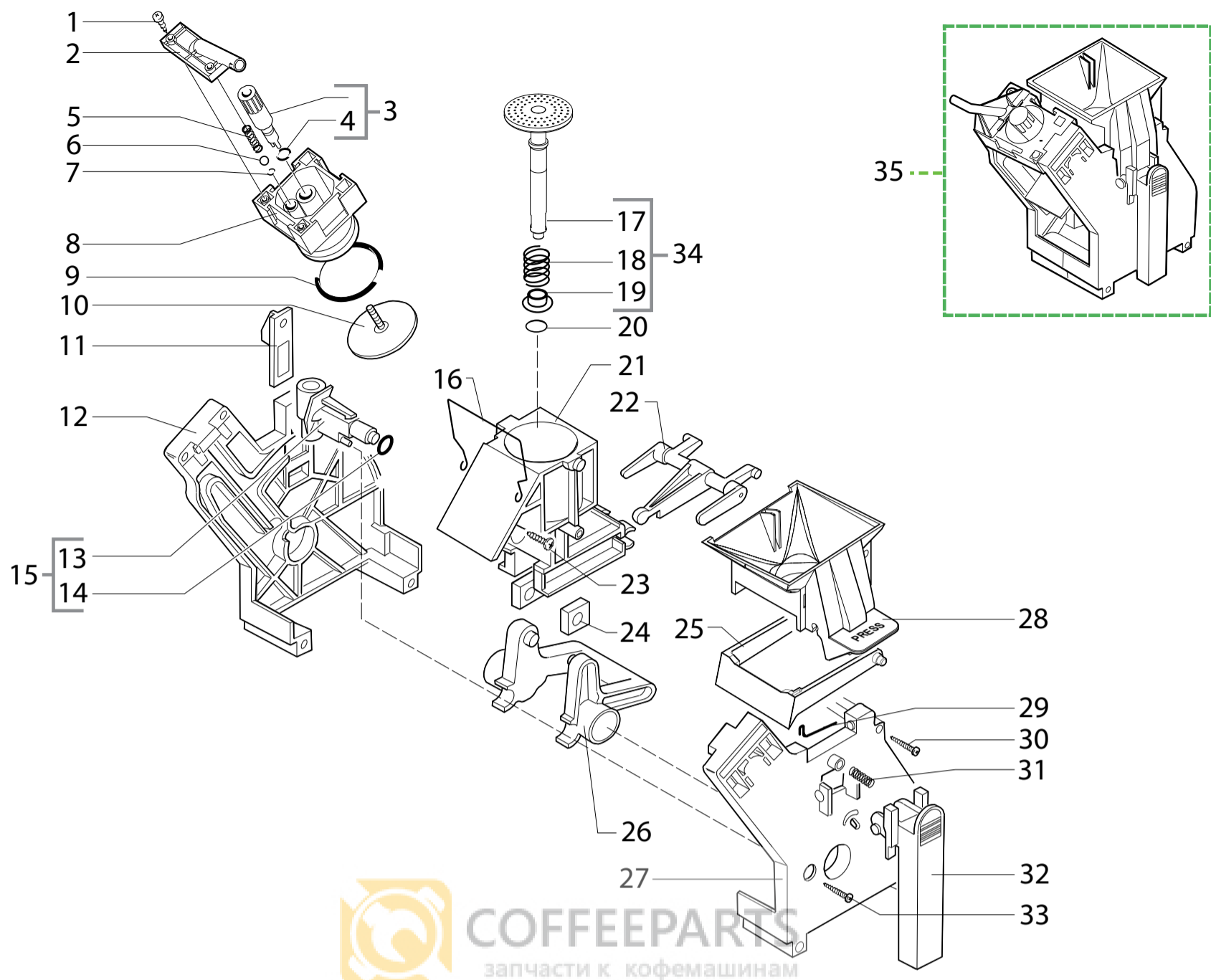


10003746-3882-4383-99-3707-4470-3700
10003689-3704-48-71-3688-4479-78-3703

POS	CODE	DESCRIPTION	NOTE	POS	CODE	DESCRIPTION	NOTE
01	9129.A23.00A 283770755	WHOLE COIL M5000/S5000 ASSY. V2 COFFEE DOSER COIL ASS.	230V 120V	31	421941303811	SILV/GL.STEAM KNOB S/SCR.M5000-SPID. FOR 10004478-79	
02	126764818	SPRING ELECTROM.BEAN DOSER MAGIC		32	9161.205	STEAM FAUCET SHAFT M5000	
03	U701.003	SNAP RING 7 UNI 7434		33	140328561	OR D=4,18 X 1,90 IN TERMOIL	
04	9161.041	DOSER ELECTROMAGNET CORE		34	9161.204.G	BLACK STEAM FAUCET M5000	
05	9161.074.150	DOSER DOOR GREY		35	126764018	SPRING D=1STEAM TUBE HOLDER JUNIOR	
06	9161.076.150	DOSER DOOR PIN GREY		36	140324461	OR ORM 0060-20 IN TERMOIL	
07	NE05.017	MICROSWITCH		37	11001591	SS STEAM TUBE L=137,66 S5000 ASSY.	
08	149185959	BEAN COFFEE DOSER MICRO SUPPORT MAGIC		38	227431250	BLACK/BLACK PANNARELLO PLASTIC ASSY.	
09	148700559	COFFEE DOSER DOSE ADJ. SEL. GR MAG		39	129511803	SCREW TCB 2,9X6,4 DIN 7981 NICK	
10	129913902	SCREW TCB TORX 10 3X12 PLAST.ZN-B		40	148650250	SECTOR GEARGRIND ADJUSTMENT KNOB COMBI	
11	9161.048	SCRAPER ROD		41	149186150	BLACK UPPER GRINDER SUPPORT MAGIC	
12	9161.249.150 11009326	GREY MOUNTING PLATE M5000 ASSY. GREY MOUNTING PLATE M5000 ASSY.	UL	42		PARTICULAR NOT AVAILABLE	SEE PART. N°49
13	186724000	MICROSWITCH SAIA X3M502K8MCM92AU		43	129931002	TORX SCREW T10 TCB 3,5X40 SX ZNG	
14	9161.202.150	GREY GROUNDS MICRO COMPENSATOR M5000		44	142844550	UPPER GRINDER COVER COFFEE GRIND. MAGIC	
15	9161.221	SPRING GROUND.MICROSUPP.COMPENSA		45	147470763	INCREASE SCREW PIN COFFEE GRINDER MAGIC	
16	286882458 286883758 286883755	GEN.MOTOR ITALY V2 M5000 ASSY. GEN.MOTOR STD V2 M5000 ASSY. GEN.MOTOR STD V2 M5000 ASSY.	230V 230V 120V	46	U201.002	PLAIN WASHER 10X16X0,2DIN 988 GAL	
17	9141.052	COFFEEGRINDER REINFORCING RING		47	128610521	STAIL.STEEL AISI 304 SPHERE D=5,5MM	
18	9991.103	ANTIVIBRATION FOR COFFEEGRINDER		48	126765517	STEEL SPRING SPHERE D=5,5 MOTOR MAGIC	
19	NE05.043	MICROSWITCH		49	226473500	KIT TECNA GRINDERS	WITH PART. N°42
20	9161.207.150	SUPPORT FOR FAUCET MICRO		50	149188750	CONICAL GRIND. SUPP. + RING MAGIC	
21	129660902	PANELVIT TCB SCREW 3,5X12 D.7505 Z		51	140360200	FELT RING 40X34X5	
22	147571059	GREY LEVER FIX.PLATE W/O DOSE ADJUSTM.		52	146570950	RING NUT FOR GRINDING ADJUSTMENT MAGIC	
23	9161.122.150	DOSE ADJUSTMENT LEVER GREY CLASSIC		53	128610421	STAIL.STELL AISI 304 SPHERE D=3,2MM	
24	9011.144	SS FORK FOR TUBE D.4		54	126770117	NEW SPRING SPHERE D=3,2 MOTOR MAGIC	
25	11009019	TEA/BRASS PISTON L=20,9 ASSY.		55	149186350	BLACK GRINDER MOTOR SUPPORT MAGIC	
26	126765317	STEEL SPRING BOILER PISTON MAGIC		56	140230400	SHOCK ABS .CONICAL GRINDER SUPP.MAGIC	
27	186723600	MICROSWITCH SAIA X3M502K2KAM92AS		57	283544900 283542600	2P.CONNECT.COFFEE GRINDER JP1 33MH ASSY. 2P.CONNECT.COFFEE GRINDER JP1 UL ASSY.	230V 120V
28	9161.208.150	SUPPORT FOR DOOR MICRO		58	286851858 286851855	MOTOR AS.NEW MAGIC DE LUXE MOTOR AS.NEW MAGIC DE LUXE	230V 120V
29	140328059	OR 2015 IN SILICONE PTFE/FDA		59	129670202	TCB PANELVIT SCREW 3,5X16 TESTA D=8 ZNP	
30	11009011	TEA/BRASS BUSH FOR FAUCET		60	U207.004	PLAIN WASHER 4,3X16 UNI 6592 GAL	
31	227720753	MET/BLACK STEAM KNOB S/SCR.M5000-SPID. FOR 10003707-46-10004383		61	140328161	OR D=3,85 X 1,90 IN EPDM	
	11012339	MEZZANOTTE STEAM KNOB S/SCR.M5000-SPID. FOR 10003688-3689-3700-04-48-71-3882-4399		62	11001601	SS STEAM TUBE L=104,88 M5000 ASSY.	
	11022212	SILVER STEAM KNOB S/SCREEN M5000-SPID. FOR 10003703-4470		63	148740450	TOOTHED SLIDE FOR DOSE ADJUST GEAR	
				64	147571850	BLACK LEVER FIXING PLATE + DOSE ADJUSTM.	
				65	129661502	SCREW PANELVIT TCB 3X38 DIN 7505 ZN	
				66	11004181	BLACK BREW UNIT NEW M5000	
				67	11006983	BLACK SLEEVE FOR COFFEE DISPENSER M5000	



PR VIENNA PL & SPIDEM TREVI



SUP018M

RI9716/01-02-03-04-05-10-RI9721/01
RI9721/02-03-04-05-06-07-08-13



10003746-3882-4383-99-3707-4470-3700
10003689-3704-48-71-3688-4479-78-3703

POS	CODE	DESCRIPTION	NOTE	POS	CODE	DESCRIPTION	NOTE
01	U140.019	SCREW TCB TORX 10 3X16 PLAST SS					
02	11003790	BLACK COFFEE OUTLET SLEEVE M5000					
03	227470150	PIN BLACK ASS.FOR PERCOLATOR					
04	NM02.006	OR R5 TERMOIL					
05	9161.222	SS.CONICAL SPRING					
06	9991.168	GLASS SPHERE D.5 MM					
07	NM02.013	OR ORM 0080-15 TERMOIL					
08	11003796	BLACK BREW UNIT COUNTERPISTON M5000					
09	NM01.044	OR ORM 0320-40 SILICONE PTFE/FDA					
10	9160.075	PERCOLATOR DE=35,8 ELFO ASSY.					
11	11004114	BLACK BREW UNIT COUPLING PLATE					
12	11003792	BLACK BREW UNIT REAR PLATE M5000					
13	9161.064.050	BLACK WATER INLET SLEEVE BREW UNIT ROYAL					
14	NM02.007	OR 2025 IN TERMOIL					
15	20000440	BLACK WATER INLET SLEEVE BREW UNIT ASSY.					
16	11001556	SS BREW UNIT SPRING H=49 SMART					
17	11003077	BLK BREW UNIT INTEGRAL PISTON 8GR.ASSY.					
18	9161.198	SS.8GR.BREW UNIT PISTON SPRING					
19	9161.191	WHITE 8GR.-12GR.BREW UNIT PISTON BUSH					
20	NM02.018	OR ORM 0090-25 TERMOIL					
21	11003075	BLACK COFFEE CONTAINER BREW UNIT P124					
22	11003078	BLACK CONNECTING ROD BREW UNIT 8GR.					
23	129912521	SCREW TCB TORX 10 3,5X14 PLAST.SS					
24	9161.094.050	BLACK BREW UNIT DRILLED BLOCK					
25	11004161	BLACK SCRAPER FOR BREW UNIT M5000					
26	9161.066.050	BLACK BREW UNIT ELBOW SHAFT M5000					
27	11003793	BLACK BREW UNIT FRONT PLATE M5000					
28	11003795	BLACK HOPPER COFF.BREW UNIT S/SCR.M5000					
29	9161.046	SS SCRAPER SPRING FOR BREW UNIT					
30	12000897	SCREW TCB TORX 10 3,5X20 PLAST.SS					
31	9161.045	SS BREW UNIT HANDGRIP SPRING M5000					
32	11003791	BLACK BREW UNIT HANDGRIP M5000					
33	12000550	SCREW TCB TORX 10 3X25 PLAST.SS					
34	11023086	BLK 8GR.BREW UNIT NTEGR.PISTON GEN.ASSY.					
35	11004181	BLACK BREW UNIT NEW M5000					

