

Saeco
Vending

SUP032OR



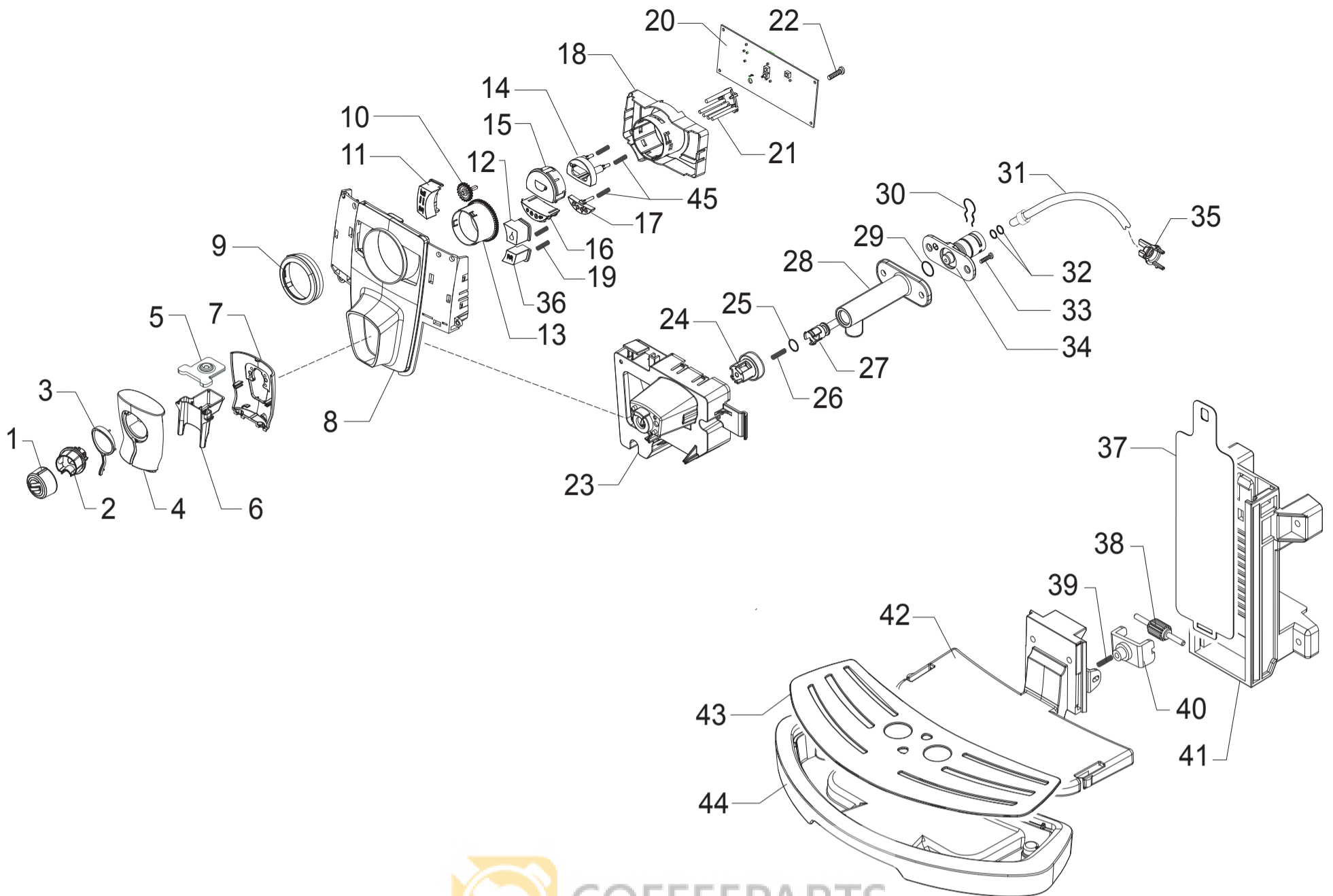
Cod. 10004052

POS	CODE	DESCRIPTION	NOTE	POS	CODE	DESCRIPTION	NOTE
01	11004088	TITANIO WATER TANK OUTLET COVER P0053		42	11004085	TITANIO DOOR P0053	
02	11001668	NATURAL/GREY WATER CONTAINER LID P0053		43	129661702	SCREW TCB TORX 3,5X30 PLAST.ZN-B	
03	11002017	TRANSPARENT WATER CONTAINER P0053 ASSY.		44	15003126	MANUAL V3 SAE P0053/A SUP032OR GB/F	
04	224640200	EXTERNAL FILTER FOR WATER CONTAINER ASSY	WITH PART.N°05	45	21001404	ACC SAE BRITA UNI.WAT.FILTERX1 EUR-ASIA	
05	140328461	EPDM OR METRIC 0190-10		46	129914102	SCREW TSP TORX 10 3,5X12 PLAST.ZN-B	
06	11003672	SPRING FOR WATER CONTAINER VALVE P0049		47	183980650	POWER CABLE JAPPON VCTF BLACK L=1200 MM	
07	11003673	GREY WATER CONTAINER VALVE INSERT P0049		48	11003154	BLACK REED SENSOR SUPPORT P0049	
08	11003671	TRANSP.VALVE FOR WATER CONTAINER P0049		49	11005044	SAECO KLUBER TRIBOSTAR SIL 2 TUBE 5GR.	
09	11001298	BLACK LID FOR DUCKBILL VALVE P0049		50	146680850	BLACK COFFEE MEASURE SMART	
10	13000841	PS-E UPPER INSERT V4 FOR BOX P0053		51	11003889	2POLES CONNECTOR SENSOR REED DOOR P0049	
11	13000840	PS-E LOWER INSERT V4 FOR BOX P0053		52	129913202	SCREW TCB TORX 10 3X8 PLAST.ZN-B	
12	13000882	DISPLAY BOX V4 P0053 SAE TALEA		53	0301.961	WATER HARDNESS TEST	
13	11004057	CHROMED WATER-STEAM KNOB P0053					
14	11005287	BLACK BUSH FOR STEAM KNOB					
15	11004142	SILVER PLATE LOGO SAECO NEW P0049/P0053					
16	11011598	SPECCHIATO COVER WITHOUT OPEN V2 P0053					
17	11002096	TRANSPLATE INFRAREDS PLATE P0053					
18	11010829	BLACK PLATE W/LOGO TALEA P0053 GIRO PL					
19	140321461	OR 2018 IN EPDM					
20	11003821	BLACK CAP FOR CONNECTIONS P0049/P0053					
21	11000223	BLACK WHEEL FOR CASING BOTTOM P124					
22	11004059	TITANIO LEFT SIDE CASING P0053					
23	11001624	STEAM TUBE WASHER P0049					
24	NF11.084	FOLK SPRING					
25	11003968	PWR BOARD P0049/P0053	100V				
26	11002030	TRANSP.BEAN COFF.CONTAIN.LID P0053 ASSY.					
27	11009194	BLACK POWER BOARD PROTECT.V2 P0053/A-D					
28	11001670	NATUR/GREY GROUND COFF.CONTAIN.LID P0053					
29	11011354	TRANSPAR.BEAN CONTAINER V2 P0053					
30	11002016	MOUNTING PLATE WITH PIN P0053 PP+T ASSY.					
31	12000280	CUP SOCKET EN 60320 C 13					
32	11007060	GENERAL SWITCH FOR P124					
33	11004067	TITANIO RIGHT SIDE CASING P0053					
34	11004055	TITANIO ON-OFF BUTTON INSERT P0049					
35	11004056	CHROMED ON-OFF SWITCH BUTTON P0049					
36	11004083	TITANIO DRIP TRAY COFFEE UNIT P0053					
37	11003533	BLACK DUMP BOX P0049 ASSY.					
38	11001659	BLACK INSIDE COVER DOOR P0053					
39	9161.111	MAGNET FOR FLOAT SUPERAUTOM.					
40	11001340	BLACK DOOR PIN P0049					
41	11008956	SS SPRING FOR LOCK DOOR G0053					

Saeco
Vending

PR TALEA GIRO PLUS V2

TABLE 1/5



Saeco
Vending

SUP032OR



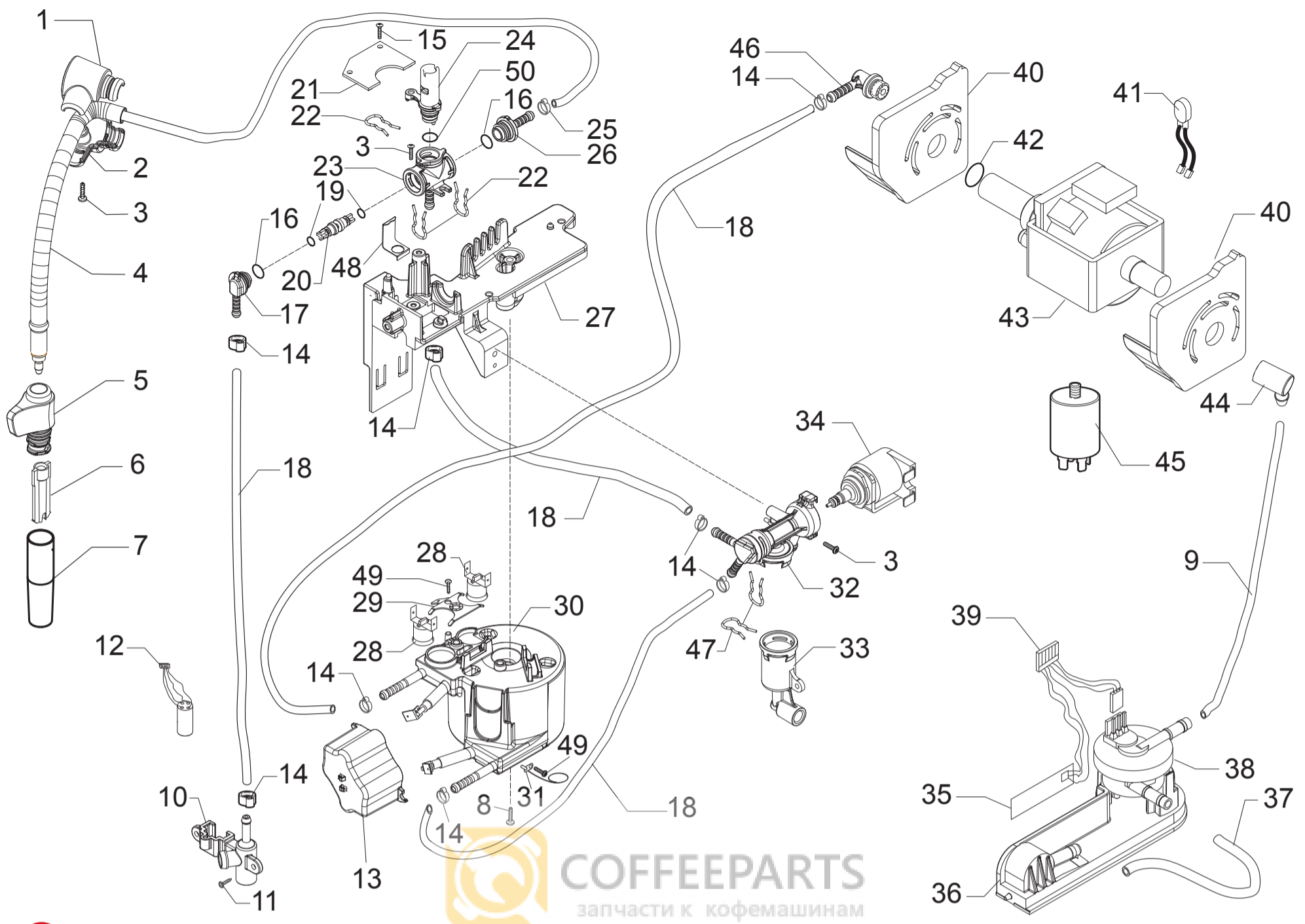
Cod. 10004052

POS	CODE	DESCRIPTION	NOTE	POS	CODE	DESCRIPTION	NOTE
01	11007378	CHR/PLAT.CREAM ADJUSTM.KNOB V2 P124 ASSY		42	11004092	CARBONA DRIP TRAY SUPPORT P0053	
02	11007420	INTERNAL CONNECT.V2 FOR COFFEE DISPENSER		43	11010389	SB/STAINLESS STEEL GRATE P0053	
03	11002110	AMBRA COFFEE DISPENSER LENS P0053		44	11011002	CARBONA DRIP TRAY V2 P0053	
04	11004208	CHROMED FRONT COFFEE DISPENSER COVER		45	11002068	SPRING FOR BUTTONS P0053/A	
05	11002111	BLACK CAP COFFEE DISPEN.HEAD BODY P0053					
06	11002049	BLACK COFFEE DISPENSER BODY P0053					
07	11004119	CHROMED REAR COFFEE DISPENSER COVER					
08	11005515	SPECCHIATO FRONT PANEL P0053/A S/SCREEN					
09	11004100	CHROMED HEIGHT REGULATION NUT P0049					
10	11001320	BLACK GEAR Z=19 FOR P0049					
11	11002064	BLACK BUTTON FOR ALLARMS P0053/A					
12	11010406	BLACK BUTTON V2 FOR WATER P0053/A					
13	11002061	BLACK SUPPORT FOR RING NUT P0053					
14	11002066	BLACK COFFEE BUTTON SPACER P0053/A					
15	11001354	BLACK COFFEE BUTTON P0049/B					
16	11010388	BLACK COFFEE DOSE BUTTON V2 P0049/B					
17	11010433	BLACK COFF.DOSE BUTTON SPACER V2 P0053/A					
18	11002062	BLACK SUPPORT FOR BUTTONS P0053/A					
19	11005689	TRANSPAR.INSERT FOR WATER BUTTON P0053					
20	11010316	AS.CPU+SW V3 P0053/A					
21	11010408	TRANSPARENT CAP LED COVER V2 P0053/A					
22	129913202	SCREW TCB TORX 10 3X8 PLAST.ZN-B					
23	11002112	BLACK DISPENSING SUPPORT P0053					
24	149198700	SUPPORT CREAM ADJUSTMENT SHAFT					
25	140326661	OR METRIC 0040-20 IN EPDM					
26	126772518	SPRING FOR CREAM ADJUSTMENT SHAFT					
27	140640200	CREAM ADJUSTMENT SHAFT					
28	11000290	BLACK COFFEE DISPENSER TUBE P124					
29	12000070	OR METRIC 0060-15 IN SILICONE					
30	9011.144	FORK FOR TUBE D.4					
31	11001766	TEFLON TUBE 2X4 L=125 MM ASSY.					
32	140328059	OR 2015 IN SILICONE PTFE/FDA					
33	12000450	SCREW TCB TORX 10 3,5X12 PLAST.GALVANIZ					
34	11002130	FAST LOCK CONNECTOR FOR EROGATOR P0053					
35	11001337	BLACK TUBE TEFLON INSERT P0049					
36	11011238	BLACK DECALCIFICAT.BUTTON P0053/A S/SCR.					
37	11007037	SPECCHIATO DRIP TRAY PROTECTION V2 P0049					
38	11001758	PIN WITH BLACK INSERT ASSY.P0049					
39	11001364	MOVE DRIP TRAY SPRING P0049					
40	11001335	BLACK PIN INSERT FOR DRIP TRAY P0049					
41	11002033	BLACK DRIP TRAY GUIDE P0053					

Saeco
Vending

PR TALEA GIRO PLUS V2

TABLE 2/5



Saeco
Vending

SUP032OR



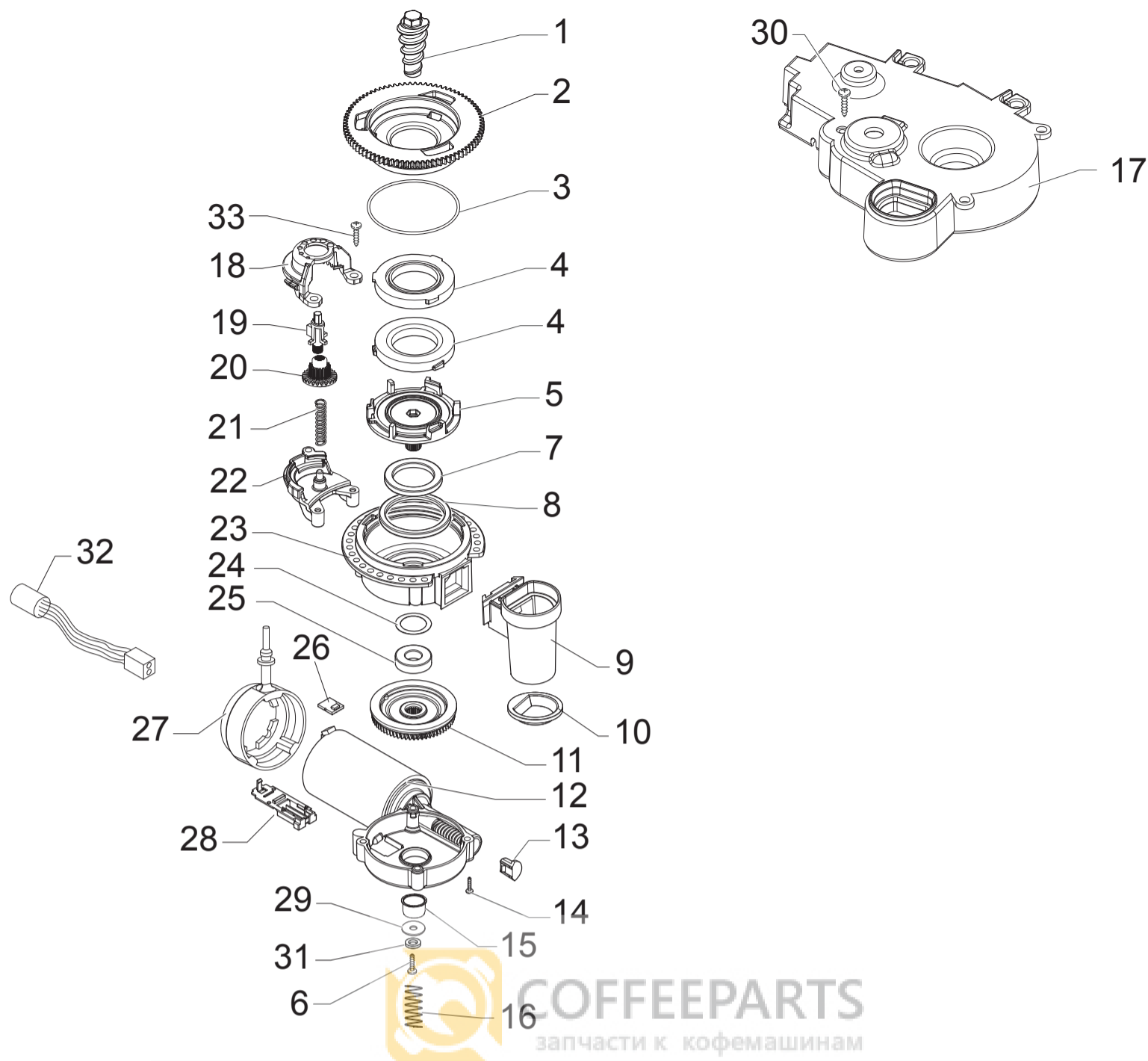
Cod. 10004052

POS	CODE	DESCRIPTION	NOTE	POS	CODE	DESCRIPTION	NOTE
01	11004196	CHROMED UPPER STEAM TUBE COVER P0049		42	140321961	OR 2031 IN TERMOIL	
02	11004197	CHROMED LOWER STEAM TUBE COVER P0049		43	12000130	ULKA PUMP EP5/S GW	100V-50/60HZ
03	129913902	SCREW TCB TORX 10 3X12 PLAST.ZN-B		44	147920150	90° INLET CONNECTOR PUMP	
04	11022486	TF/CHROM.STEAM TUBE V2 P0049/P0053 ASSY.		45	12000007	ANTIDISTURB FILTER 16A	100V
05	11001625	BLACK STEAM TUBE HANDGRIP P0049		46	11001054	90°CONNECTOR PUMP OUTLET P0049/B	
06	11001620	BLACK PANNARELLO INTERNAL TUBE P0049		47	11005096	FORK SPRING FOR VALVE P0049	
07	11011504	TF/CHROM.PANNARELLO COVER P0049		48	11002957	SS.FAUCET FOR SPRING P0049	
08	129932502	SCREW TCEI 5X30 PLAST.ZN-B		49	12001715	SCREW TCB TORX 20 M4X8 AUTOFORMING ZN-B	
09	149360200	SILICONE TUBE 5X8 70SR	IN ROLL	50	12001615	OR 2025 IN EPDM PEROX.FOOD 70 SH	
10	11007421	BLACK CONNECTOR FOR P0054			11008698	TEA/BRASS FAUCET P0049-P0053 ASSY. WITH PART. N°16-17-19-20-22-23-24-26-50	
11	12000450	SCREW TCB TORX 10 3,5X12 PLAST.ZN-N			11005751	BLOWDOWN VALVE P0049 100V ASSY. WITH PART. N°32-33-34-47	
12	11000465	4POLE CONNECTOR FOR P0054			11008029	ALUM.BOILER V2 P0053 100V ASSY.	COMPLETE
13	11005284	BLACKBOILER CONNECTORS COVER P0049/P0053					
14	12000892	OETIKER CLAMP D=9,5 16700004					
15	129913202	SCREW TCB TORX 10 3X8 PLAST.ZN-B					
16	12001613	OR 108 IN EPDM PEROX.FOOD 70SH					
17	11001544	BLACK FAUCET CONNECTOR P0049					
18	16000380	5X8,9 SILICONE TUBE	IN ROLL				
19	12001614	OR 2012 IN EPDM PEROX.FOOD 70 SH					
20	11004134	TEA/BRASS FAUCET SHAFT P0049					
21	11007569	TAP ELECTRONIC CARD G0053 ASSY.					
22	11001499	FORK SPRING FOR FAUCET P0049					
23	11004625	TEA/BRASS FAUCET CASING P0049					
24	11025776	PLAST/BRASS FAUCET SHAFT V2 P0049 ASSY.					
25	NF11.052	OETIKER CLIP					
26	11001546	FAUCET STRAIGHT CONNECTOR P0049					
27	11001332	BLACK BOILER-FAUCET-VALVE SUPPORT P0049					
28	12001034	THERMOSTAT ONE SHOT 175°					
29	11001751	THERMOSTATES SPRING FOR BOILER					
30	11011343	ALUM.BOILER/V4 ASSY.	100V-1300W				
31	190800100	TEMPERATURE SENSOR NTC UL L=280MM					
32	20000591	BLOWDOWN VALVE CASING P0049 ASSY.					
33	20000592	BLOWDOWN VALVE CONNECTOR P0049 ASSY.					
34	20000681	BLOWDOWN VALVE COIL P0049 100V ASSY.	100V				
35	11000651	WATER LEVEL SENSOR BOARD P124					
36	11003670	BLACK TURBINE SUPPORT V2 P0049					
37	JS01.022	SILICONE TUBE 5X10 60 SHORE	IN ROLL				
38	12000781	TURBINE D=1,2 932-8521/90 ASSY.					
39	11005648	6 POLES CONNECT.LEVEL+FLOWMETER P0049 UL					
40	11006296	BLACK PUMP SUPPORT P0049 ASSY.					
41	11005668	2POLES CONNECTOR PUMP P0049 UL					

Saeco
Vending

PR TALEA GIRO PLUS V2

TABLE 3/5



SUP032OR



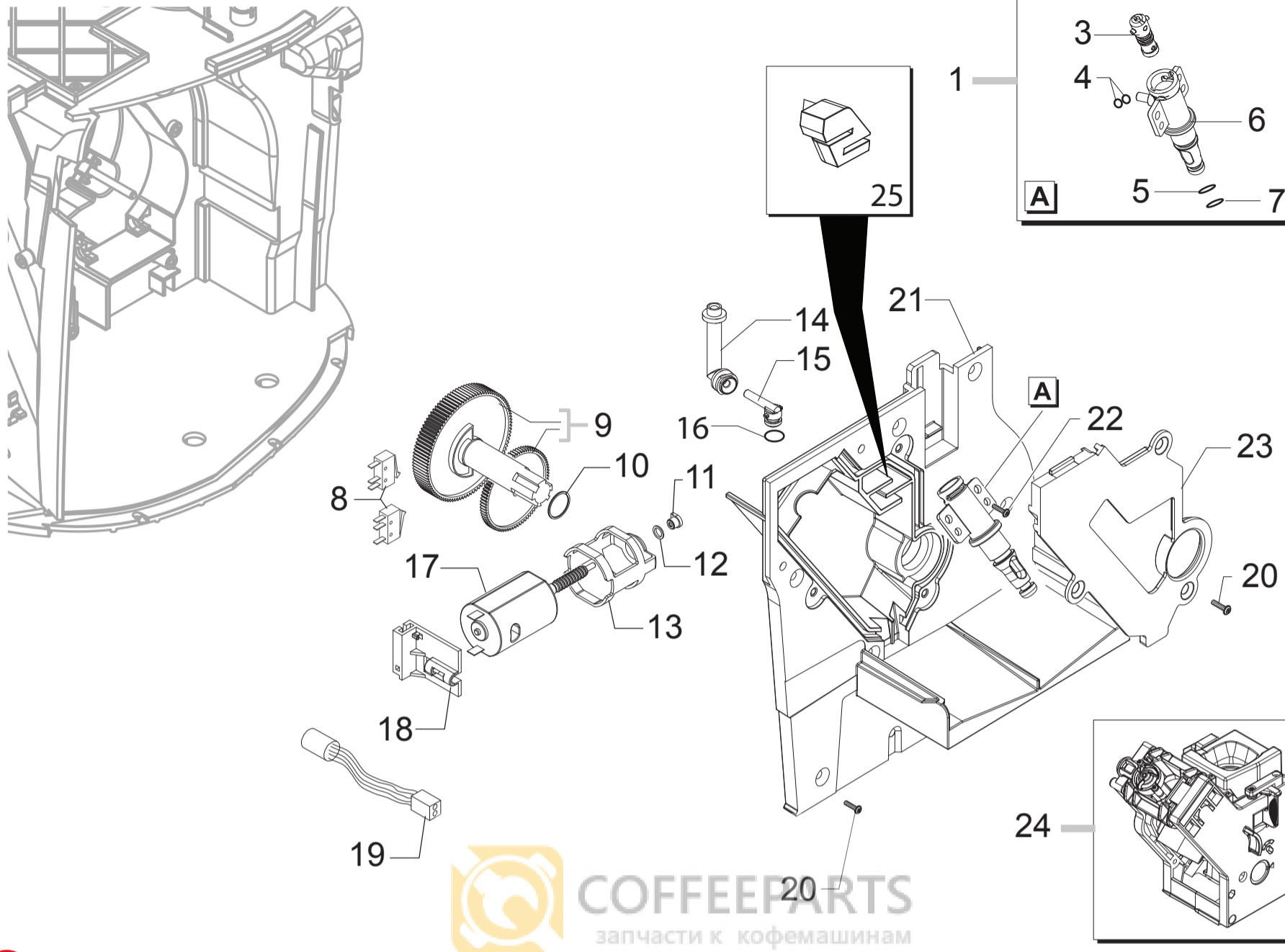
Cod. 10004052

POS	CODE	DESCRIPTION	NOTE	POS	CODE	DESCRIPTION	NOTE
01	11011205	TEA/ZAMA INCREASE SCREW GRINDER					
02	149198250	UPPER GRINDER SUPPORT COFFEEGRINDER					
03	140328960	NBR FDA OR METRIC 0530-15					
04	146520100	BAKED CLAY GRINDER 48X28					
05	149198350	LOWER GRINDER SUPPORT COFFEEGRINDER					
06	129574802	SCREW TCB TORX 20 M4X30 ZN-B					
07	123030300	AXIAL BEARING EKKO 342.35252					
08	140360500	FELT RING 45,4X39,4X4					
09	11026355	GROUND COFFEE OUTLET CONVEYOR V4 ASSY					
10	145854462	GROUND COFFEE CONT.SEAL LOWER SMART1					
11	226000300	GEAR SX Z=38 FOR GRINDER MOTION ASSY.					
12	11000512	MOTOR COFFEEGRINDER/V3.1 ASSY.	100V				
13	149214800	CAP FOR WORM SCREW MC/V3 CENTRING					
14	129661702	SCREW TCB TORX 3,5X30 PLAST.ZN-B					
15	11002873	INSULATOR BUSH FOR GRINDER MOTOR P124					
16	11000597	COFFEE GRINDER SUPPORT SPRING P124					
17	11001826	SOUNDPROOFING COVER FOR COFGRINDER P0053					
18	11002508	UPPER GEAR SUPPORT COFFEEGRINDER P124					
19	11003446	BLACK INSERT FOR COFFEE GRINDER P0049					
20	11003784	COFFEE GRINDING ADJUSTMENT GEAR P0049					
21	11002572	GRINDER REGULATION SPRING P124					
22	11002613	LOWER GEAR SUPPORT COFFEEGRINDER P124					
23	142905450	UPPER BODY WITH COFFE.GROUND OUTLET					
24	128381800	CRINKLE WASHER 21,8X15,8X0,2					
25	123030200	RADIAL BEARING 61900.2RS1					
26	181540900	ELECTRONIC BOARD WITH SENSOR HAL506					
27	11001367	BLACK COFFEE GRINDER SUPPORT P0049					
28	149199050	SENSOR SUPPORT FOR COFF.GRIND.MOTOR					
29	128381902	GALVAN.FLAT WASH.DI=4,3 DE=14 SP=1,5					
30	129914002	SCREW TCB TORX 10 3,5X16 PLAST.ZN-B					
31	128310402	GALV.WASHER UNI 8842 A4					
32	11005658	5POLES CONNECTOR MC SENSORS P0049 UL	100V				
	11007418	GENERAL MOTOR MC V2 P0049 100V ASSY.					



PR TALEA GIRO PLUS V2

TABLE 4/5



Saeco
Vending

SUP032OR



Cod. 10004052

POS	CODE	DESCRIPTION	NOTE	POS	CODE	DESCRIPTION	NOTE
01	11005113	PIN V2 FOR BOILER P049/B ASSY.					
02	140324459	OR ORM 0060-20 IN SILICONE PTFE/FDA					
03	11003820	CAP V2 FOR PIN BOILER P119					
04	140328059	OR 2015 IN SILICONE PTFE/FDA					
05	NM01.035	OR ORM 0090-20 SILICONE					
06	11003801	PIN V2 FOR BOILER P119					
07	NM01.057	OR ORM 0050-20 SILICONE					
08	NE05.038	MICROSWITCH					
09	20000900	SPARES KIT GEARS FOR RATIOMOTOR V2					
10	9161.132	MYLAR WASHER FOR RATIOMOTOR					
11	9121.046	SINTERED BUSH FOR MOTOR					
12	148380200	WASHER BAKELIZZATE D=5,5					
13	9121.044	ANTIVIBRATION FOR MOTOR					
14	11004086	VALVE DESCARGING WATER 90° CONNECTOR					
15	11003648	COVER DESCARGING WATER 90° CONNECTOR					
16	140325462	OR METRIC 0070-20 IN SILICONE					
17	11005214	MOTOR FOR RATIOMOTOR P124 ASSY.					
18	11001331	BLACK MICROSWITCH SUPPORT DUMP BOX P0049					
19	11003661	REED SENSOR MK3-1A66-BV16451					
20	129914102	SCREW TSP TORX 10 3,5X12 PLAST.ZN-B					
21	11006337	BLACK COVER MOUNTING PLATE P0049 ASSY.					
22	129914002	SCREW TCB TORX 10 3,5X16 PLAST.ZN-B					
23	11001312	BLACK COVER FOR VAIN BOILER P0049					
24	11005921	BLACK BREW UNIT 8GR.V2 P124/SBS					
		SEE EXP.COD.E90060					
25	11022216	BLACK MOUNTING PLATE COVER PROTECT.P0049					

Saeco
Vending

PR TALEA GIRO PLUS V2

TABLE 5/5